



Apartment Studio (1+kk)

Sold

24 m², Semily, Rokytnice nad Jizerou, Rokytnice nad Jizerou





Apartment Studio (1+kk)

Sold24 m², Semily, Rokytnice nad Jizerou, Rokytnice nad Jizerou

Total area	29 m ²
Floor area*	24 m ²
Balcony	5 m ²
Parking	1 garage parking space.
Garage	Yes
Cellar	Yes
PENB	G
Reference number	16445

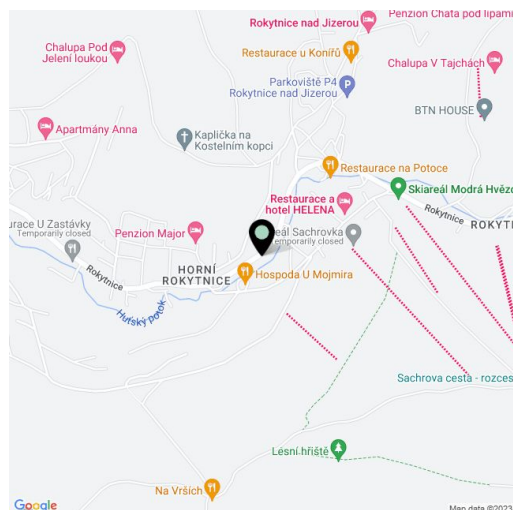
New ski apartment in the sought after winter resort town of Rokytnice nad Jizerou, a short walk from the cableway to the top of Lysá hora Mountain, suitable for family recreation or as an investment opportunity for short or long-term lease.

This modern, family-type apartment situated on the ground floor offers 1 room, bathroom and hallway. The whole house is designed as a mountain residence with equipment meeting current requirements on recreational housing. The location of Rokytnice is known for its various slopes for all types of skiers, high-quality cross country trails and other sporting and cultural opportunities, including summer tourism (hiking, biking, extreme sports). The town boasts a number of shops, services, restaurants, cafes and clubs. Excellent transport links to and from Prague.

Possibility to purchase **ski boxes for CZK 42 350**, **garage parking space for CZK 363 000** or **outdoor parking space for CZK 181 500**.

Photos are from the show flat.

Interior 29,3 m², balcony 5 m².



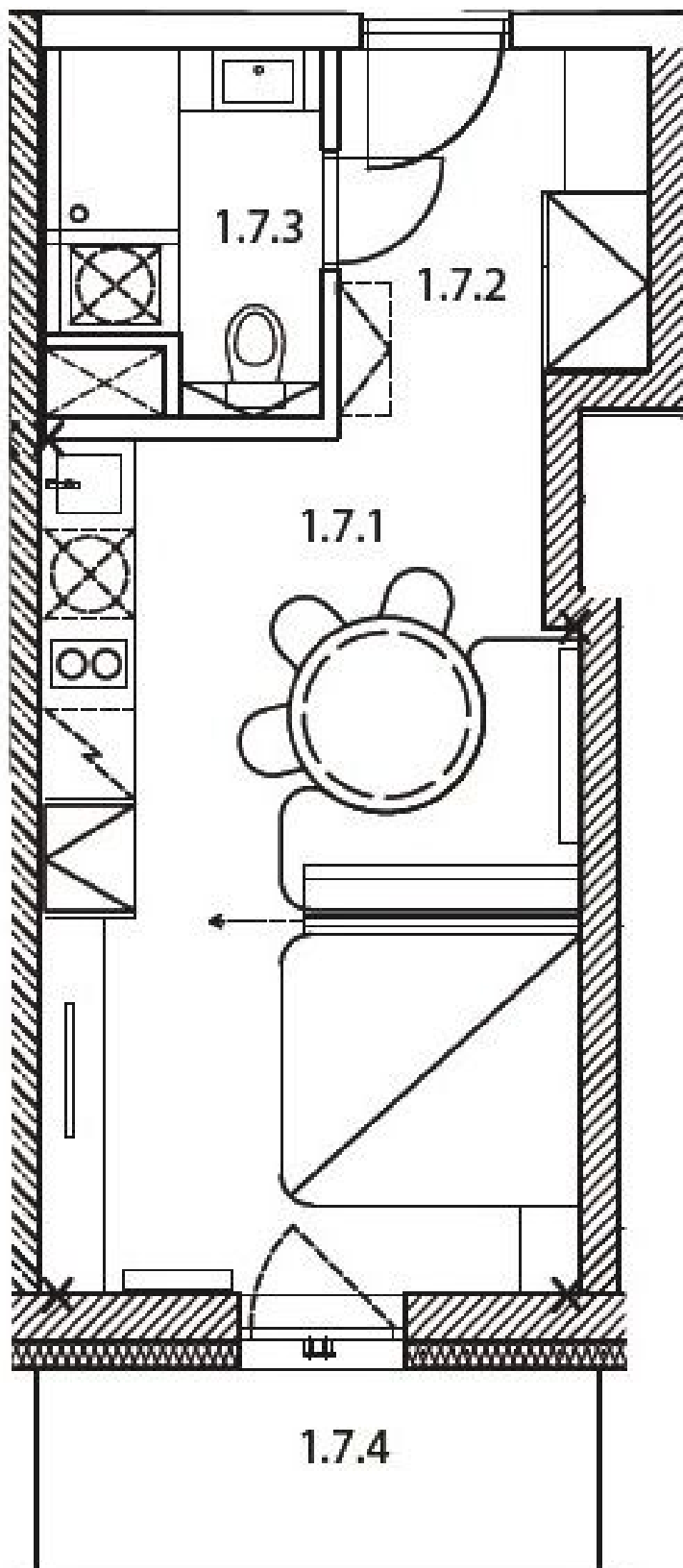
* Area of the unit according to the Civil Code. The area consists of the sum total area of the entire unit bounded by perimeter walls.



Apartment Studio (1+kk)

24 m², Semily, Rokytnice nad Jizerou, Rokytnice nad Jizerou

Sold



**Apartment Studio (1+kk)**24 m², Semily, Rokytnice nad Jizerou, Rokytnice nad Jizerou**Sold**

Byt 1.7

1.NP

1+kk + balkon

užitná plocha

29,3 m²

celková podlahová plocha vč. balkonu

34,6 m²

Číslo	Místnost	Výměra [m ²]
1.7.1	Pokoj	20,1
1.7.2	Chodba	5,1
1.7.3	Koupelna	4,1
1.7.4	Balkon	5,0



Apartment Studio (1+kk)

24 m², Semily, Rokytnice nad Jizerou, Rokytnice nad Jizerou

Sold

