



## Apartment Studio (1+kk)

Sold

24 m<sup>2</sup>, Semily, Rokytnice nad Jizerou, Rokytnice nad Jizerou





## Apartment Studio (1+kk)

**Sold**24 m<sup>2</sup>, Semily, Rokytnice nad Jizerou, Rokytnice nad Jizerou

Total area	29 m <sup>2</sup>
Floor area*	24 m <sup>2</sup>
Balcony	5 m <sup>2</sup>
Parking	1 garage parking space.
Garage	Yes
Cellar	Yes
PENB	G
Reference number	16446

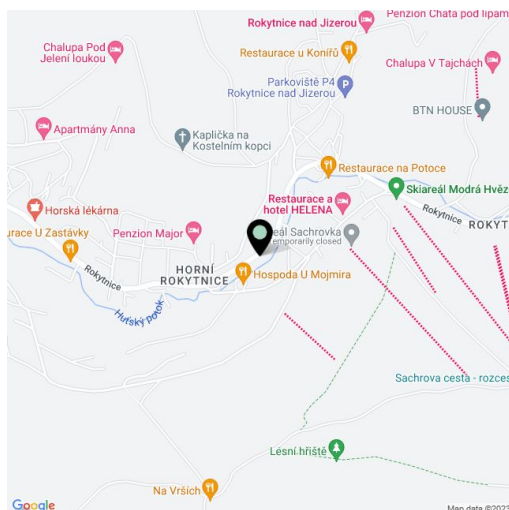
**New ski apartment in the sought after winter resort town of Rokytnice nad Jizerou, a short walk from the cableway to the top of Lysá hora Mountain, suitable for family recreation or as an investment opportunity for short or long-term lease.**

This modern, family-type apartment situated on the ground floor offers 1 room, bathroom and hallway. The whole house is designed as a mountain residence with equipment meeting current requirements on recreational housing. The location of Rokytnice is known for its various slopes for all types of skiers, high-quality cross country trails and other sporting and cultural opportunities, including summer tourism (hiking, biking, extreme sports). The town boasts a number of shops, services, restaurants, cafes and clubs. Excellent transport links to and from Prague.

Possibility to purchase **ski boxes for CZK 42 350**, **garage parking space for CZK 363 000** or **outdoor parking space for CZK 181 500**.

Photos are taken from the show flat.

Interior 28,6 m<sup>2</sup>, balcony 5 m<sup>2</sup>.



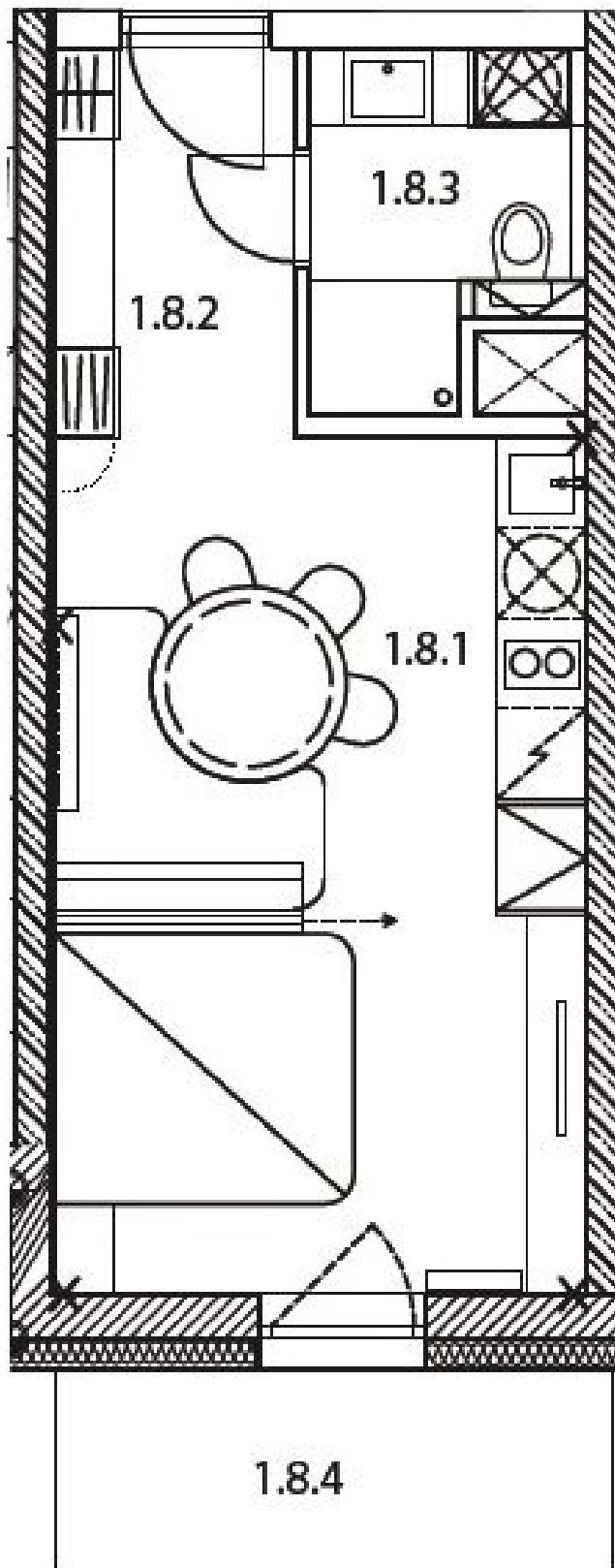
\* Area of the unit according to the Civil Code. The area consists of the sum total area of the entire unit bounded by perimeter walls.



## Apartment Studio (1+kk)

24 m<sup>2</sup>, Semily, Rokytnice nad Jizerou, Rokytnice nad Jizerou

Sold



**Apartment Studio (1+kk)**24 m<sup>2</sup>, Semily, Rokytnice nad Jizerou, Rokytnice nad Jizerou**Sold****Byt 1.8****1.NP****1+kk + balkon****užitná plocha****28,6 m<sup>2</sup>****celková podlahová plocha vč. balkonu****33,8 m<sup>2</sup>**

Číslo	Místnost	Výměra [m <sup>2</sup> ]
1.8.1	Pokoj	20,2
1.8.2	Chodba	4,2
1.8.3	Koupelna	4,2
1.8.4	Balkon	5,0



## Apartment Studio (1+kk)

24 m<sup>2</sup>, Semily, Rokytnice nad Jizerou, Rokytnice nad Jizerou

**Sold**

